

## EXIT TRANSFER CONVEYOR

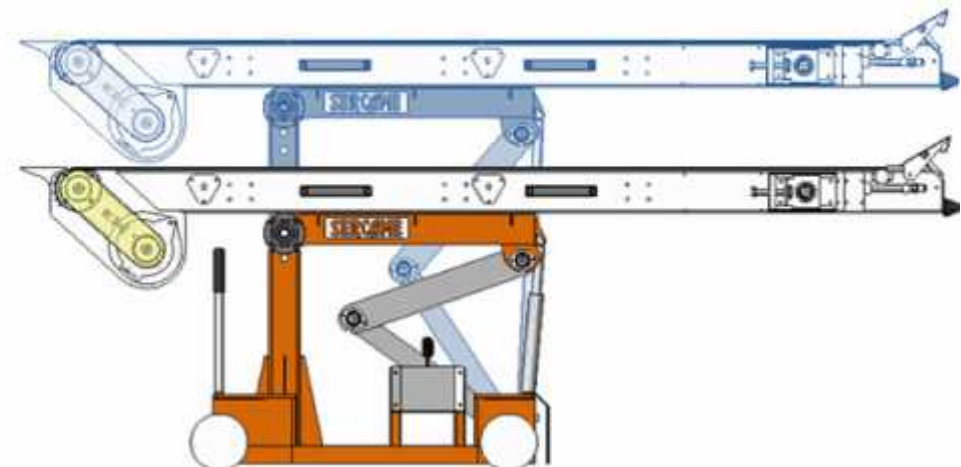
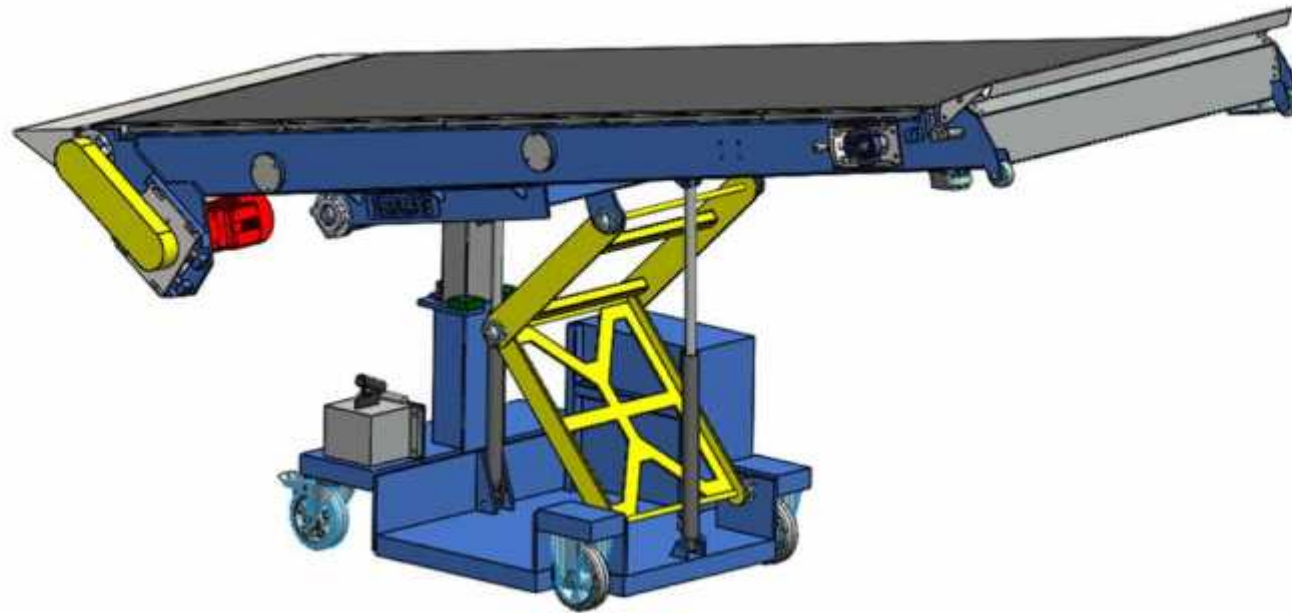
- TELESCOPIC LENGTH SYSTEM.
- ELECTRIC MOTION WITH POSITION CONTROL.
- ADJUSTABLE SPEED.
- CONTINUOUS AND STEP-BY-STEP MOVEMENT
- PARTS COUNTING AND CONTAINERIZING HELP MODE.
- AUTOMATIC BAND DRIFT CONTROL.
- SCREEN FOR MANAGEMENT OF RECIPES.
- MANAGEMENT OF DIFFERENT CONFIGURATIONS.
- AUTOMATIC TILT



## EXIT CONVEYOR







## VERSATIL EXIT CONVEYOR

